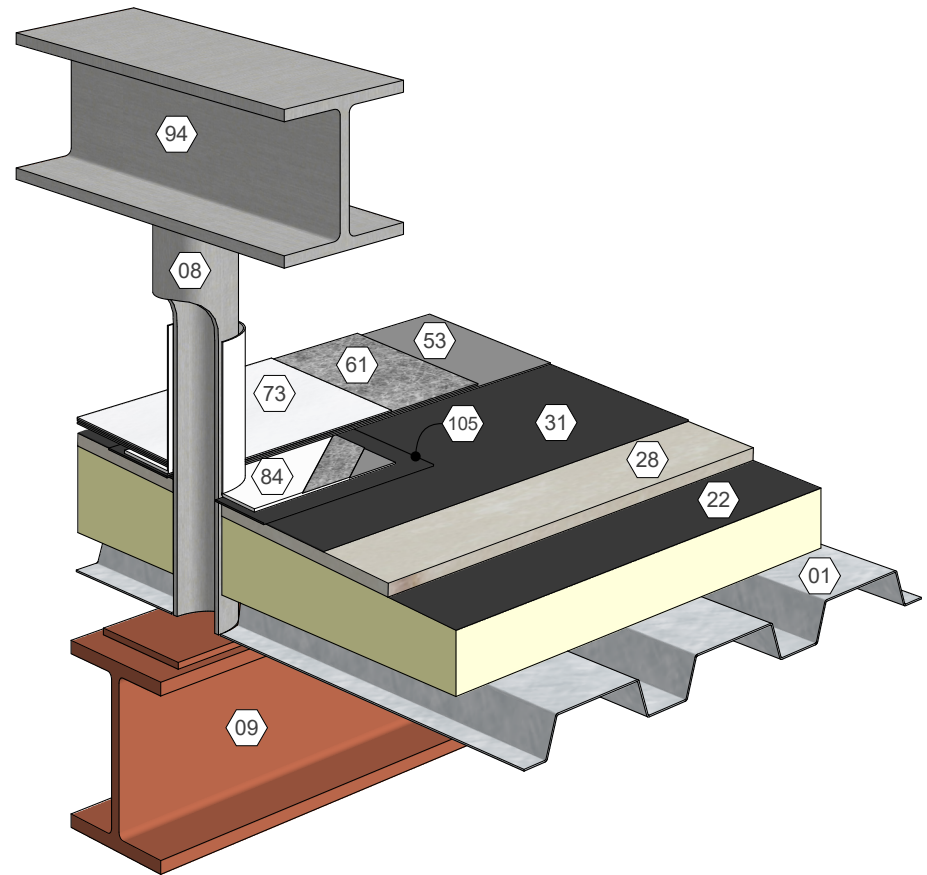
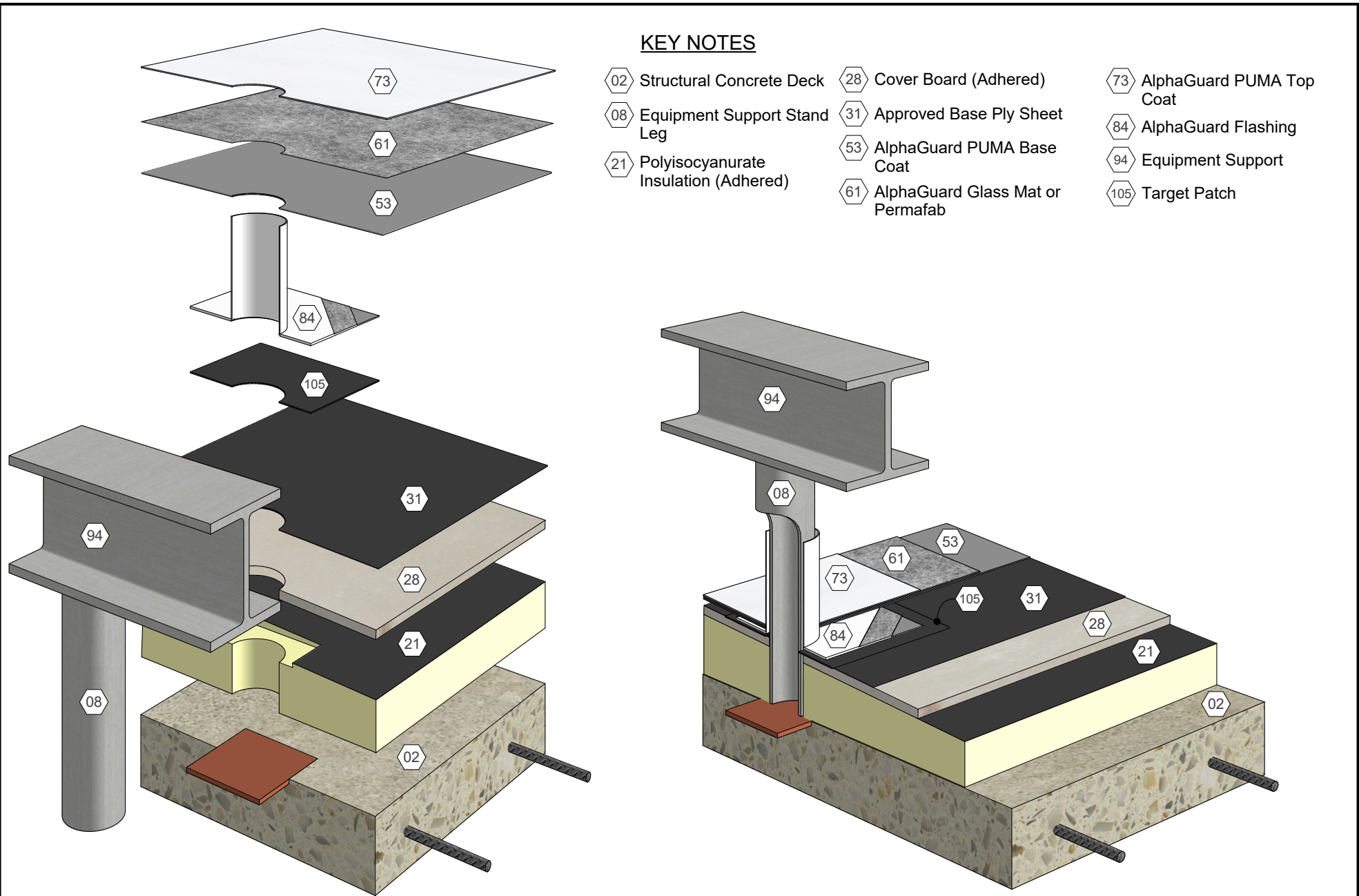


KEY NOTES

- | | | |
|--|-------------------------------------|-----------------------------|
| 01 Metal Deck | 28 Cover Board (Adhered) | 73 AlphaGuard PUMA Top Coat |
| 08 Equipment Support Stand Leg | 31 Approved Base Ply Sheet | 84 AlphaGuard Flashing |
| 09 Roof Structure | 53 AlphaGuard PUMA Base Coat | 94 Equipment Support |
| 22 Polyisocyanurate Insulation (Fastened or Adhered) | 61 AlphaGuard Glass Mat or Permafab | 105 Target Patch |



AlphaGuard® PUMA Plus Equipment Support Stand Leg Detail, Metal Deck
Detail 24111

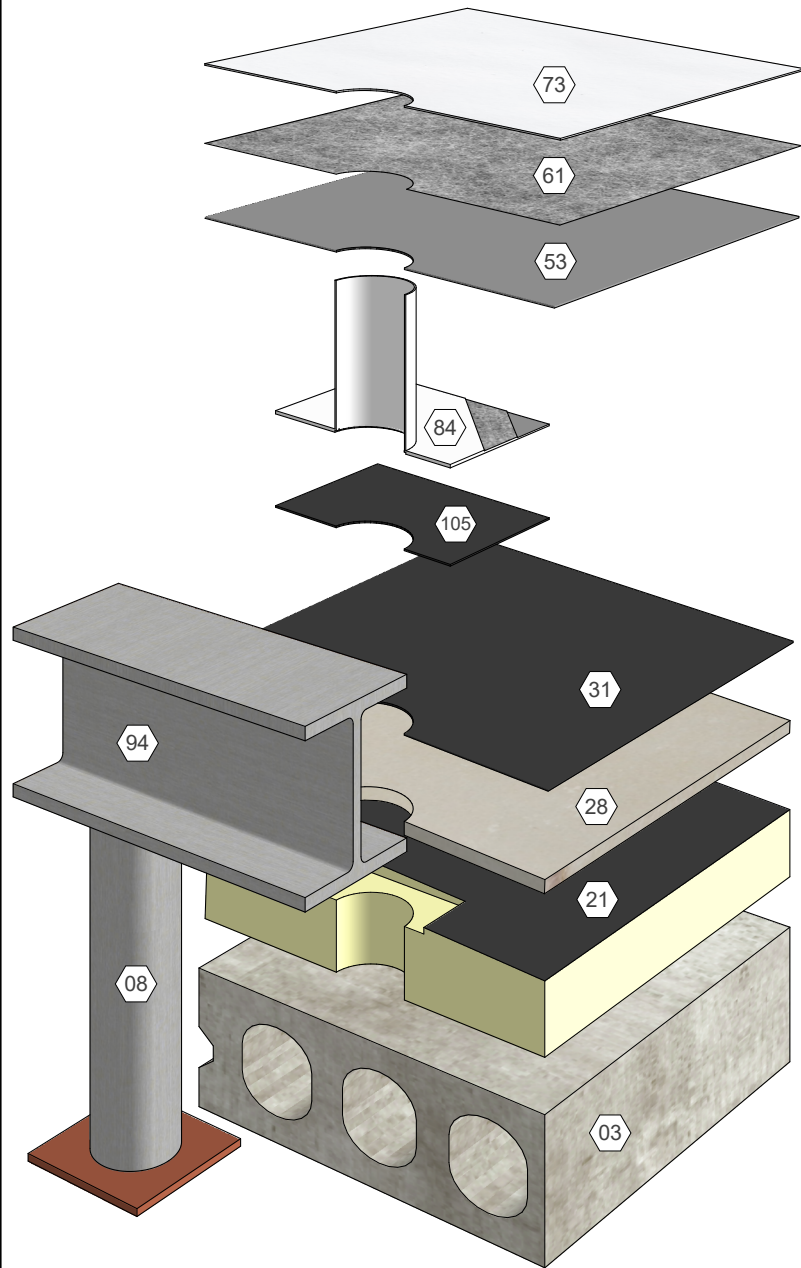


KEY NOTES

- 02 Structural Concrete Deck
- 08 Equipment Support Stand Leg
- 21 Polyisocyanurate Insulation (Adhered)
- 28 Cover Board (Adhered)
- 31 Approved Base Ply Sheet
- 53 AlphaGuard PUMA Base Coat
- 61 AlphaGuard Glass Mat or Permafab
- 73 AlphaGuard PUMA Top Coat
- 84 AlphaGuard Flashing
- 94 Equipment Support
- 105 Target Patch

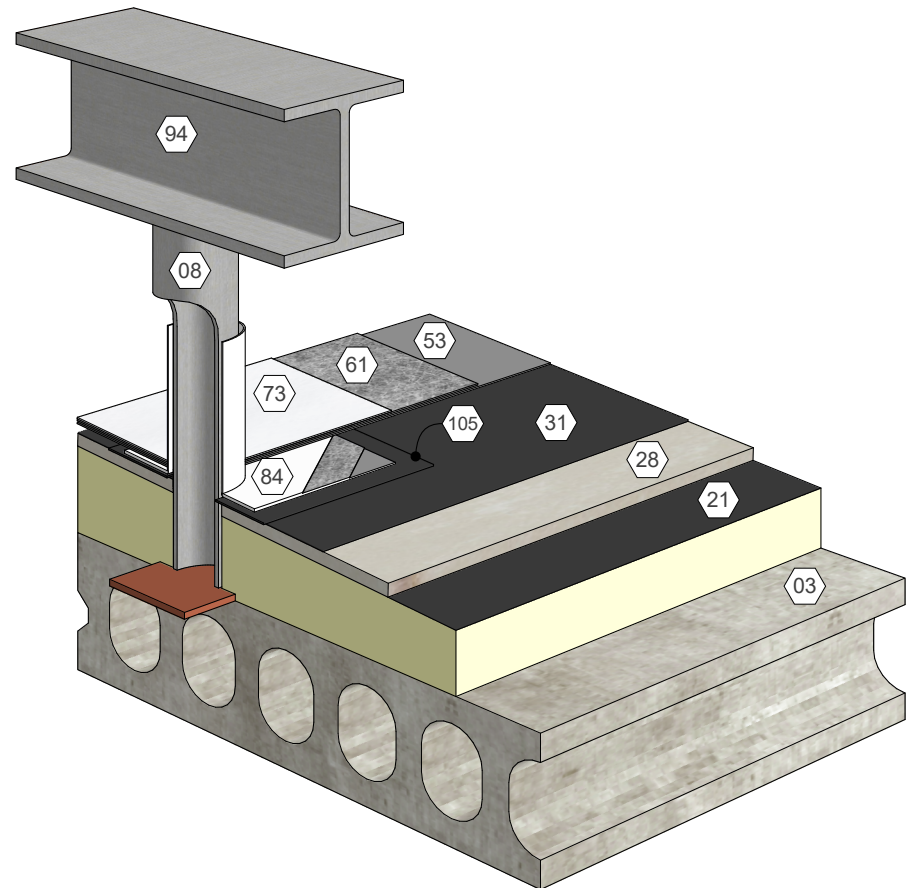
AlphaGuard® PUMA Plus Equipment Support Stand Leg Detail, Structural Concrete Deck
 Detail 24112





KEY NOTES

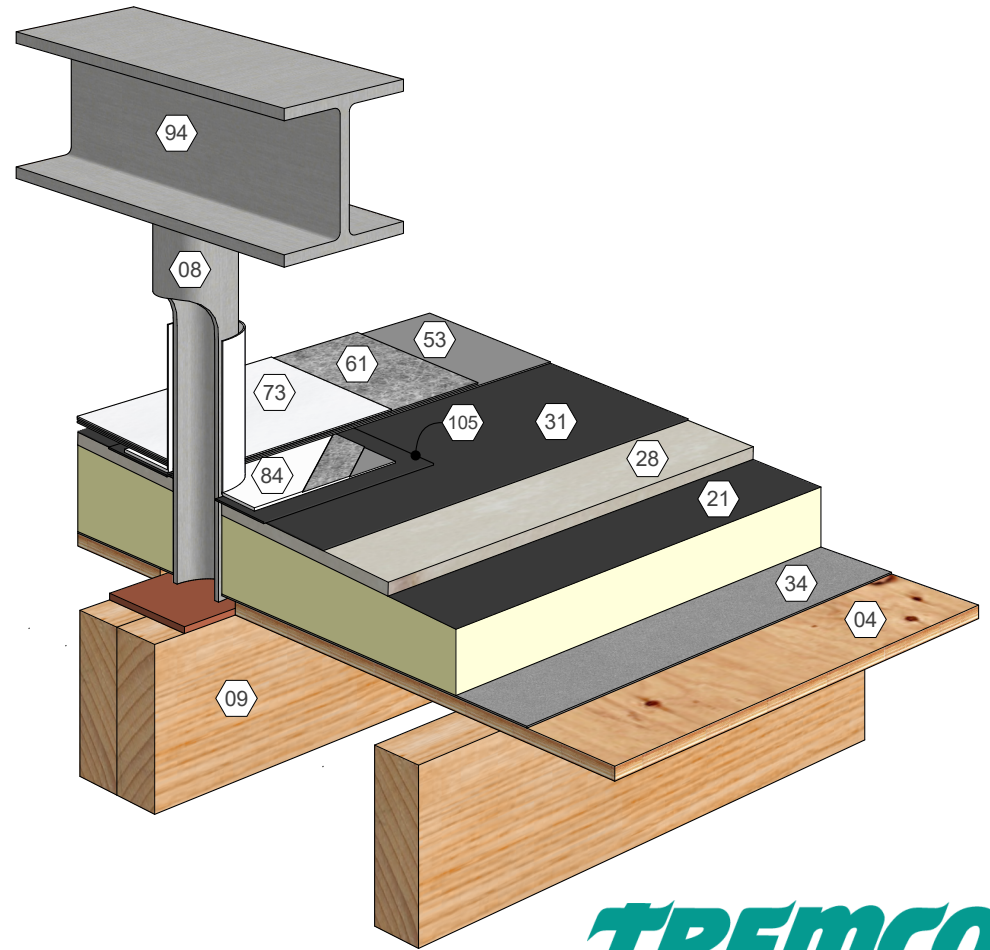
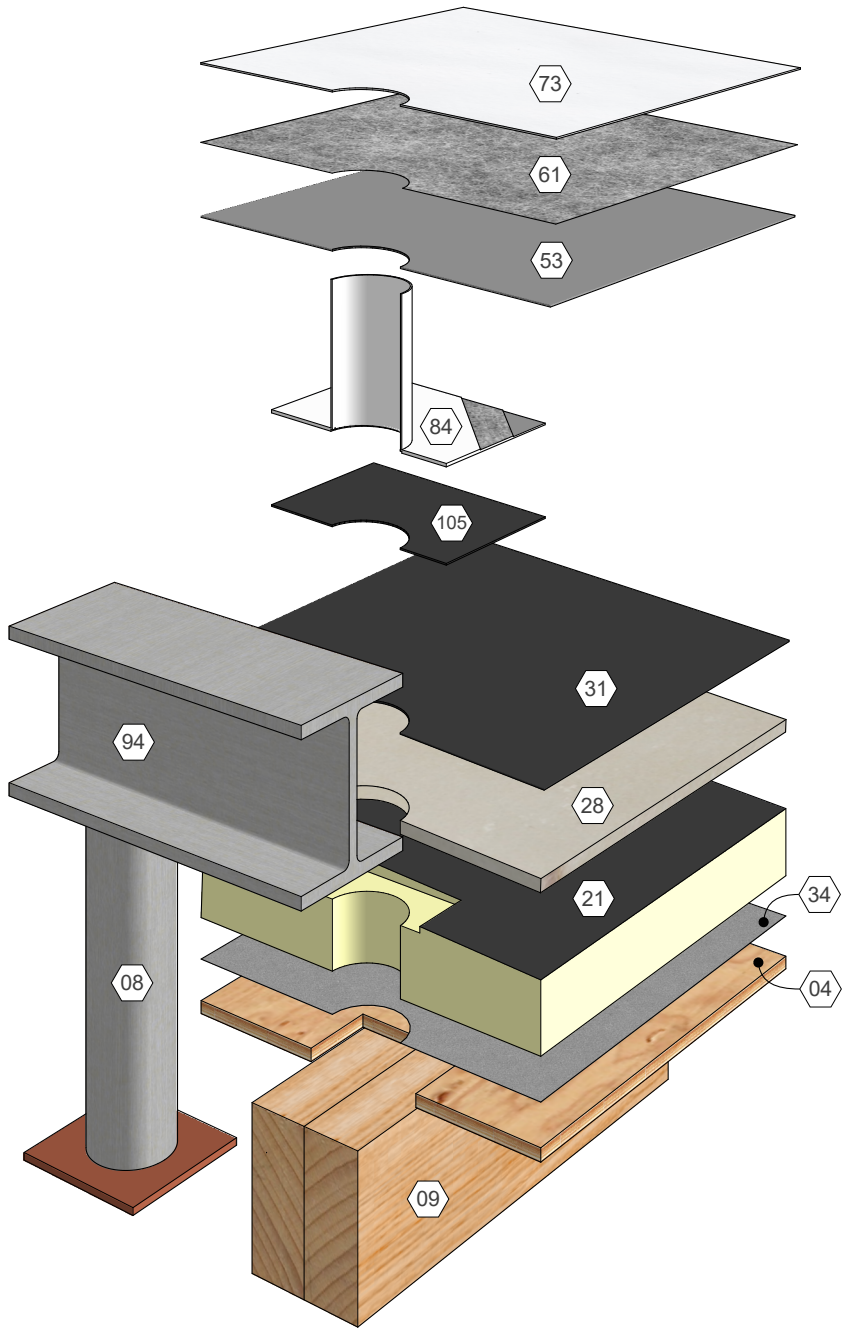
- | | | |
|---|--------------------------------------|------------------------------|
| 03) Precast Concrete Deck | 28) Cover Board (Adhered) | 73) AlphaGuard PUMA Top Coat |
| 08) Equipment Support Stand Leg | 31) Approved Base Ply Sheet | 84) AlphaGuard Flashing |
| 21) Polyisocyanurate Insulation (Adhered) | 53) AlphaGuard PUMA Base Coat | 94) Equipment Support |
| | 61) AlphaGuard Glass Mat or Permafab | 105) Target Patch |



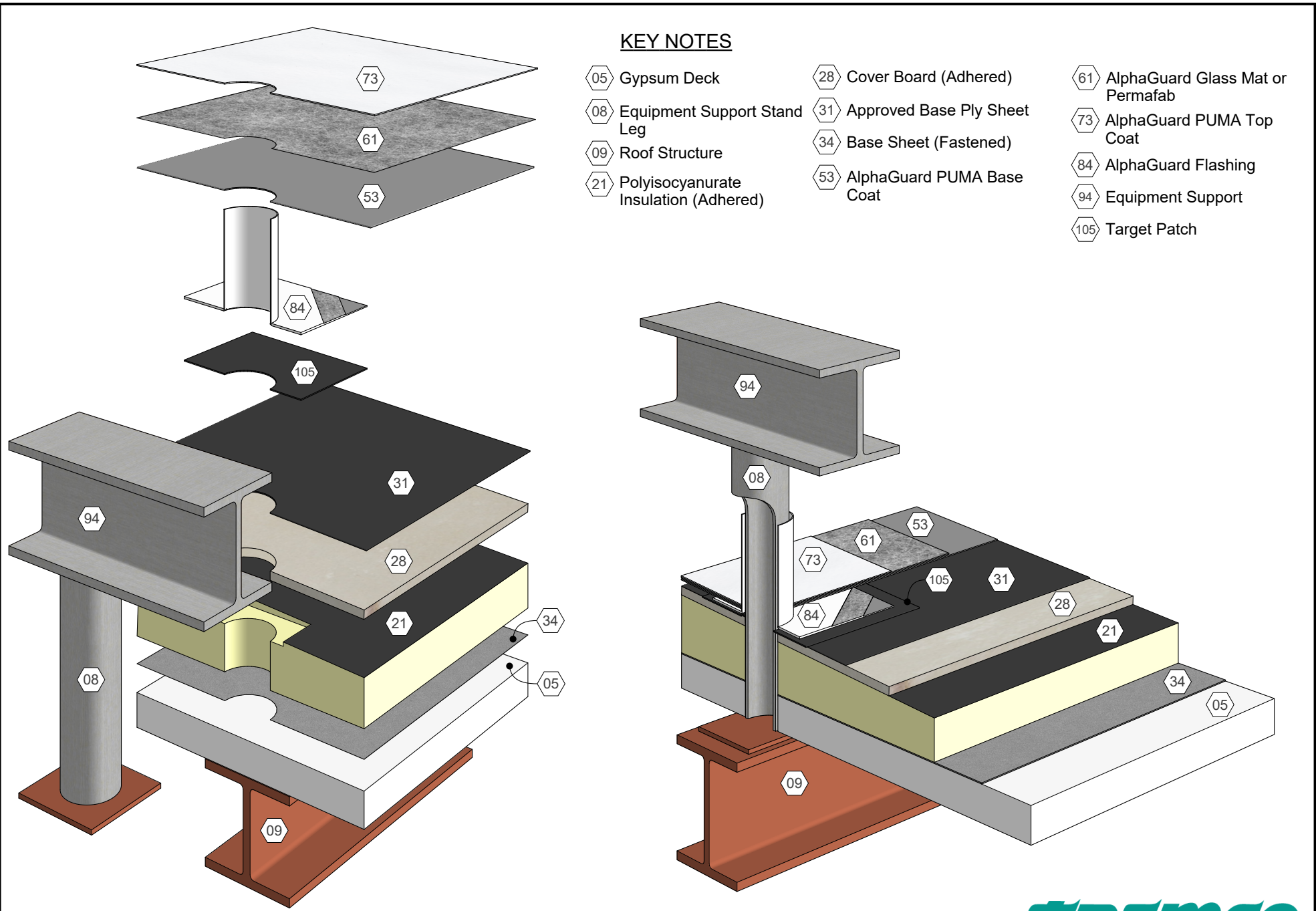
AlphaGuard® PUMA Plus Equipment Support Stand Leg Detail, Precast Concrete Deck
Detail 24113

KEY NOTES

- 04 Wood Deck
- 08 Equipment Support Stand Leg
- 09 Roof Structure
- 21 Polyisocyanurate Insulation (Adhered)
- 28 Cover Board (Adhered)
- 31 Approved Base Ply Sheet
- 34 Base Sheet (Fastened)
- 53 AlphaGuard PUMA Base Coat
- 61 AlphaGuard Glass Mat or Permafab
- 73 AlphaGuard PUMA Top Coat
- 84 AlphaGuard Flashing
- 94 Equipment Support
- 105 Target Patch



AlphaGuard® PUMA Plus Equipment Support Stand Leg Detail, Wood Deck
Detail 24114



AlphaGuard® PUMA Plus Equipment Support Stand Leg Detail, Gypsum Deck
 Detail 24115